

GARLOCK KLOZURE Application Data Sheet for Split Pillow Block Bearing Isolators

Garlock Sealing Technologies, 1666 Division St., Palmyra, NY 14522
 Phone: 1-866-KLOZURE or 1-315-597-4811 Fax: 1-866-OILSEAL or 1-315-597-3140



Customer Information

Company: _____ Contact: _____
 Customer Type: _____ Title: _____
 Mailing Address: _____ Phone: _____
 City: _____ Fax: _____
 State: _____ Zip: _____ Email Address: _____

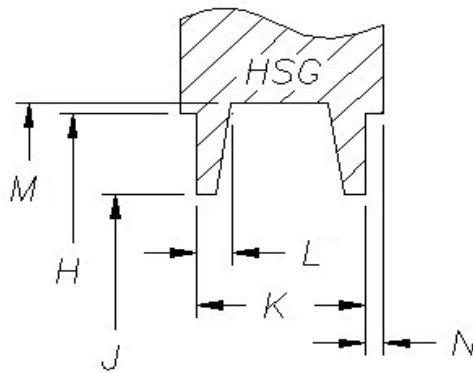
Current Seal Information

Seal Manufacturer: _____ Purity: _____
 Seal Part Number: _____ Approximate Cost: _____
 Seal Type: _____ Approximate Monthly Usage: _____
 Seal Material: _____ Approximate Annual Usage: _____
 Approximate Seal Life: _____ hrs days Usage Type: _____

Housing Dimensions

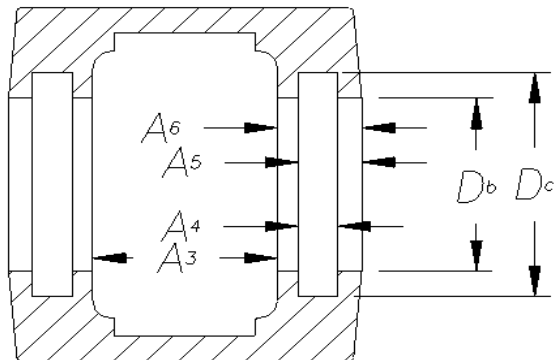
SAF Type

Housing Manufacturer: _____
 Housing #: _____
 LER/LOR #: _____
 Shaft Diameter: _____ in mm
 H: _____ in mm
 J: _____ in mm
 K: _____ in mm
 L: _____ in mm
 M: _____ in mm
 N: _____ in mm



SNL/SNH Type

Housing Manufacturer: _____
 Housing #: _____
 Shaft Diameter: _____ in mm
 A₃: _____ in mm
 A₄: _____ in mm
 A₅: _____ in mm
 A₆: _____ in mm
 D_b: _____ in mm
 D_c: _____ in mm



Application Information

Speed of Rotation: _____ RPM fpm mps
 Axial Movement: _____ in mm
 Radial Movement: _____ in mm
 Pressure: _____ psi bar kp
 Media Type: _____
 Media Level: _____
 Temperature: _____ F C
 Special Notes: _____
 Other: _____

Type of Seal Desired (select one)

- SOLID SEAL
- SPLIT SEAL