

**KLOZURE Application Data Sheet**

Garlock Sealing Technologies, 1666 Division St., Palmyra, NY 14522

Phone: 1-866-KLOZURE or 1-315-597-4811

Fax: 1-866-OILSEAL or 1-315-597-3140



**Contact Information**

KLOZURE Representative: \_\_\_\_\_ KLOZURE Area Manager: \_\_\_\_\_  
 Phone: \_\_\_\_\_ Phone: \_\_\_\_\_  
 Email Address: \_\_\_\_\_ Email Address: \_\_\_\_\_

**Customer Information**

Company: \_\_\_\_\_ Contact: \_\_\_\_\_  
 Customer Type: \_\_\_\_\_ Title: \_\_\_\_\_  
 Mailing Address: \_\_\_\_\_ Phone: \_\_\_\_\_  
 City: \_\_\_\_\_ Fax: \_\_\_\_\_  
 State: \_\_\_\_\_ Email Address: \_\_\_\_\_  
 Zip: \_\_\_\_\_

**Current Seal Information**

Seal Manufacturer: \_\_\_\_\_ Purity: \_\_\_\_\_  
 Seal Part Number: \_\_\_\_\_ Approximate Cost: \_\_\_\_\_  
 Seal Type: \_\_\_\_\_ Approximate Monthly Usage: \_\_\_\_\_  
 Seal Element Material: \_\_\_\_\_ Approximate Annual Usage: \_\_\_\_\_  
 Seal Case Material: \_\_\_\_\_

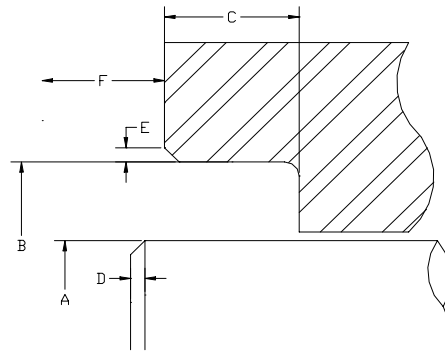
**Application Information**

**General**

Equipment Type: \_\_\_\_\_  
 Bearing Type: \_\_\_\_\_  
 Shaft Attitude: \_\_\_\_\_

**Size/Finish**

(A) Shaft Diameter: \_\_\_\_\_  in  mm  
 Shaft Surface Finish: \_\_\_\_\_ micro-inch Ra  
 Shaft Surface Hardness: \_\_\_\_\_ Rockwell-C  
 (B) Bore Diameter: \_\_\_\_\_  in  mm  
 Bore Surface Finish: \_\_\_\_\_ micro-inch Ra  
 Bore Surface Hardness: \_\_\_\_\_ Rockwell-C  
 (C) Bore Depth: \_\_\_\_\_  in  mm  
 (D) Shaft Chamfer: \_\_\_\_\_  in  mm  
 (E) Bore Chamfer: \_\_\_\_\_  in  mm  
 (F) Distance to Obstruction: \_\_\_\_\_  in  mm



**Motion**

Type of Motion: \_\_\_\_\_  
 Speed (rotation): \_\_\_\_\_  RPM  fpm  mps  
 Stroke (reciprocating): \_\_\_\_\_  in  mm  
 Speed (reciprocating): \_\_\_\_\_  cps  cpm  
 Degrees of Arc: \_\_\_\_\_  
 Speed (oscillation): \_\_\_\_\_  cps  cpm

**Alignment/Movement**

Radial Misalignment (STBM): \_\_\_\_\_  in  mm  
 Radial Movement: \_\_\_\_\_  in  mm  
 Axial Movement: \_\_\_\_\_  in  mm

**Pressure**

Location: \_\_\_\_\_  
 Pressure Value: \_\_\_\_\_  psi  bar  kp

**Media**

Media Type: \_\_\_\_\_  
 Description: \_\_\_\_\_  
 Manufacturer: \_\_\_\_\_  
 Level: \_\_\_\_\_  
 Location: \_\_\_\_\_

**Temperature**

Nominal: \_\_\_\_\_  F  C  
 Minimum: \_\_\_\_\_  F  C  
 Exposure Time at Minimum: \_\_\_\_\_  sec  min  hrs  day  
 Maximum: \_\_\_\_\_  F  C  
 Exposure Time at Maximum: \_\_\_\_\_  sec  min  hrs  day

**Notes**

Blank area for user notes.